



INSTRUCTION MANUAL
THRIVE HD MICRO PRISM SIGHT

ZEROTECH REFLEX SIGHT OPTICS

THRIVE HD **THDMP120**

WARNING

KEEP BATTERIES OUT OF REACH OF CHILDREN



**THIS PRODUCT CONTAINS A COIN BATTERY.
THE BATTERY CAN CAUSE SEVERE OR FATAL INJURIES IN
2 HOURS OR LESS IF IT IS SWALLOWED OR PLACED
INSIDE ANY PART OF THE BODY.**

CONTENTS

PAGES

- 4** INTRODUCTION
- 5** LIFETIME WARRANTY
- 6** THRIVE HD MICRO PRISM - FEATURES
- 8** BATTERY INSTALLATION
- 10** FUNCTIONS - THDMP120 MICRO PRISM
- 11** FITTING THE THDMP120 TO YOUR FIREARM
- 12** THDMP120 MOUNTING CONSIDERATIONS
- 14** PICATINNY RAIL FITMENT
- 16** WINDAGE & ELEVATION ADJUSTMENTS
- 17** PRISM SIGHT CARE
- 18** WARRANTY & CONTACT INFORMATION

INTRODUCTION

WELCOME TO THE ZERO TECH FAMILY!

Customer First - We listened to you and came up with a family of optics that will satisfy the needs of our most discerning and experienced customers.

Backed by Experience - ZeroTech enjoys 60 years of experience in the Optics Market supplying high quality brands to retailers throughout Australia and the Asia Pacific.

Built for the Australian Shooter - Designed and built to endure the harsh conditions of the Australian bush and the exacting demands of the precision shooter.

Lifetime Warranty - Be safe in the knowledge that your scope is backed by our Triple A Lifetime Warranty: **'ANY OWNER, ANY PROBLEM, ALWAYS COVERED'**

LIFETIME WARRANTY

BACKED FOR LIFE!

Be safe in the knowledge that your scope is backed by our **Triple A Lifetime Warranty***:

- Fully transferable, covers accidental damage as well as defects in materials and workmanship.
- No receipt or warranty card is required.
- We will repair or replace product with equal or similar value and/or specifications.
- We will return product to you at no charge.

*ZT AAA warranty does not cover any intentional loss or damage to ZeroTech products.



LIFETIME WARRANTY

**'ANY OWNER, ANY PROBLEM,
ALWAYS COVERED'**

THRIVE HD MICRO PRISM - FEATURES

The **THRIVE HD Micro Prism 1x20mm** is supplied with four (4) optional base heights, pictured below. It is configured with the 1.6" medium height base* in the box. The sight also utilises a common footprint and is compatible with aftermarket bases and mounting options.



**1.1" low height
base fitted**



**1.4" medium
low base fitted**

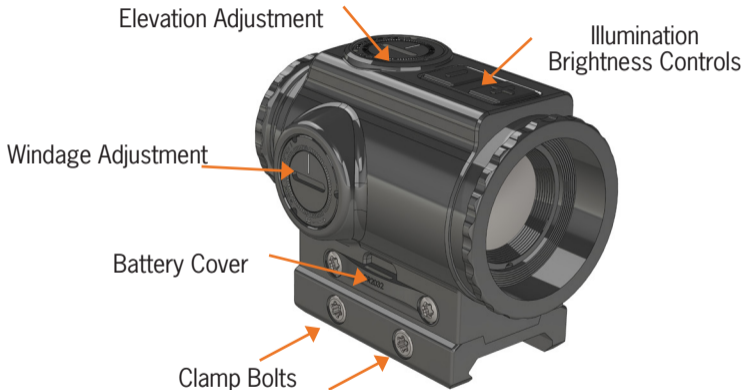


**1.6" medium height
base fitted***



**1.93" high rise
base fitted**

THRIVE HD MICRO PRISM - FEATURES



BATTERY INSTALLATION

WARNING – KEEP BATTERIES (whether the battery is new or used) OUT OF REACH OF CHILDREN

Zerotech rifle scopes and optics with a reticle illumination feature contain coin batteries. Products containing coin batteries must be kept out of reach of children. The battery can cause severe or fatal injuries in 2 hours or less if it is swallowed or placed inside any part of the body.



If you suspect your child has swallowed or inserted a button battery immediately call the **24-hour Poisons Information Centre on 13 11 26 (Australia)** for fast, expert advice.

BATTERY INSTALLATION

1. Loosen the two (2) T-10 Torx screws and slide the battery cover retainer assembly away from the reflex sight. Be careful to do this while at a bench to ensure the battery cover screws are not misplaced.



2. Remove the battery and discard the plastic insulator. Install the CR2032 battery directly into the sight with the positive terminal facing up (writing side up).
3. Refit the battery cover retainer assembly.
4. Refit the two (2) T-10 Torx screws and tighten to 6 in lbs. Be careful not to overtighten these screws.

NOTE: Remove and discard the plastic insulator from the battery

FUNCTIONS - THDMP120 MICRO PRISM

- ▲ The THRIVE HD Micro Prism features a glass etched reticle and can be used with or without the illumination function. To use the reticle illumination, please read below.
- ▲ To activate the reticle illumination, press and hold either of the illumination brightness control buttons for approximately 3 seconds.
- ▲ Use either of the illumination brightness control buttons adjust the brightness settings. There is a total of 10 normal illumination brightness settings and 3 night vision compatible settings.
- ▲ The THDMP120 Micro Prism sight has an auto sleep/ auto activate function for the reticle illumination. If the sight is left undisturbed for 3½ minutes, it will automatically enter sleep mode. As soon as the sight detects motion, it will resume the previously selected brightness setting.
- ▲ To shutdown the THDMP120 Micro Prism sight, hold either of the illumination brightness control buttons for 3 seconds.
- ▲ ZeroTech recommends shutting down your sight when in storage.

FITTING THE THDMP120 TO YOUR FIREARM

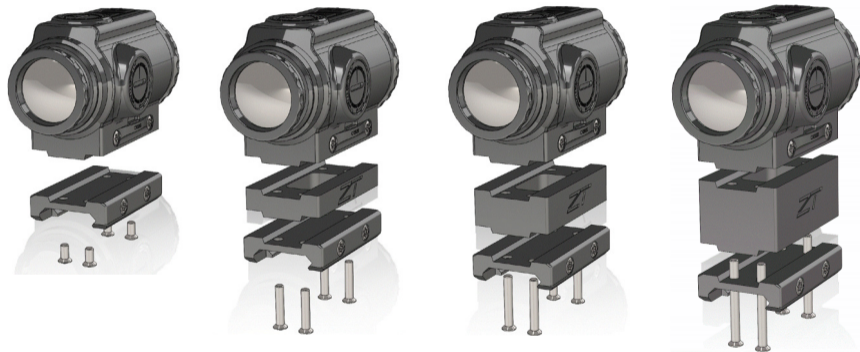
!! Before mounting your scope or sight to a firearm, it is essential that you confirm that your firearm is unloaded and no ammunition is present in your workspace.

To avoid damage and to preserve your warranty, your scope should always be mounted by an experienced professional.

THDMP120 MOUNTING CONSIDERATIONS

1. The THDMP120 utilises a picatinny compatible mounting interface. ZeroTech includes four (4) different mounting height options. It is important to select the most appropriate mounting height for your firearm and make sure the corresponding base screw set is used to secure the mount. Base screw sets are in individually marked bags.
2. When swapping out the bases to achieve your desired mounting height, be mindful not to overtighten the base screws. Apply no more than 14 in lbs torque to these screws.
3. The THDMP120 sight also utilises a common base footprint. This means the sight can be directly adapted to aftermarket bases and mount options.

THDMP120 MOUNTING CONSIDERATIONS



PICATINNY RAIL FITMENT

The THRIVE HD micro prism sight is supplied with a picatinny rail clamp system to enable it to be fitted to a picatinny rail.

- ▲ Before attempting to fit to your firearm, use a T-10 Torx key to loosen the clamp bolt(s) slightly to enable adequate clearance of the clamp so it can fit over the picatinny rail.
- ▲ When fitting the sight to the desired position on your firearm, ensure the clamp bolts properly engage a slot on the picatinny rail.
- ▲ Once you have achieved your desired position on the rail, apply slight forward pressure to the sight (push towards the muzzle) and tighten the T-10 Torx clamp bolts. It is recommended to use a torque wrench to apply approximately 25 - 30 in lbs of torque to the clamp bolts.



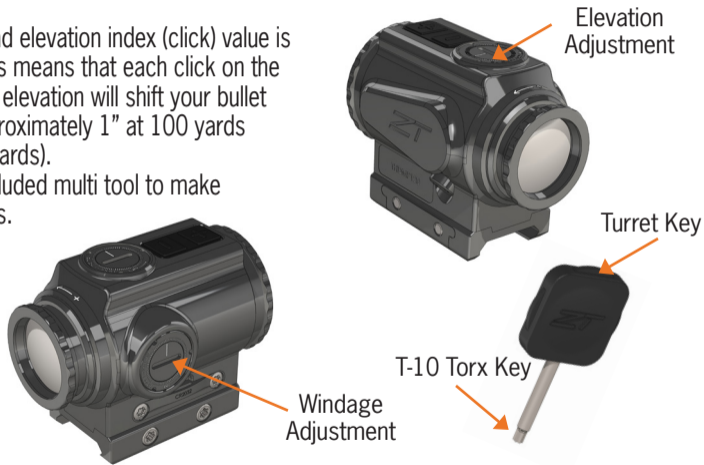
PICATINNY RAIL FITMENT

- ▲ It is recommended to check the torque settings on the clamp bolts periodically.
- ▲ If you wish to apply additional thread locking compound to the clamp screws, it is recommended to use a non-permanent compound such as Loctite 222. Thread locking compound has already been applied



WINDAGE & ELEVATION ADJUSTMENTS

- ▲ Windage and elevation index (click) value is 1 MOA. This means that each click on the windage or elevation will shift your bullet impact approximately 1" at 100 yards ($\frac{1}{2}$ " at 50 yards).
- ▲ Use the included multi tool to make adjustments.



PRISM SIGHT CARE

- ▲ Wipe dust and debris from your sight body using a damp microfibre cleaning cloth.
- ▲ If necessary, clean dust and dirt from the sight lenses using a lens brush and the ZeroTech lens cleaning cloth.
- ▲ **Never** spray cleaners or solvents on any part of your sight. Irreversible damage may be caused by such products.
- ▲ **Avoid** touching the lenses. Wipe fingerprints off using the ZeroTech lens cleaning cloth.

WARRANTY & CONTACT INFORMATION

Company details;

ZEROTECH INTERNATIONAL PTY LTD

For all enquiries:

AUSTRALIA / INTERNATIONAL

Ph: +612 9938 3244

Email: sales@zerotech.com.au

Web: zerotech.com.au/warranty

Address:

PO BOX 7200,

Warringah Mall

NSW, 2100, AUSTRALIA

USA

Ph: 615-674-4755

Email: sales@zerotechoptics.com

Web: zerotechoptics.com/warranty

NOTES



zerotech.com.au / zerotechoptics.com





LIFETIME WARRANTY

'ANY OWNER, ANY PROBLEM, ALWAYS COVERED'

zerotech.com.au / zerotechoptics.com

