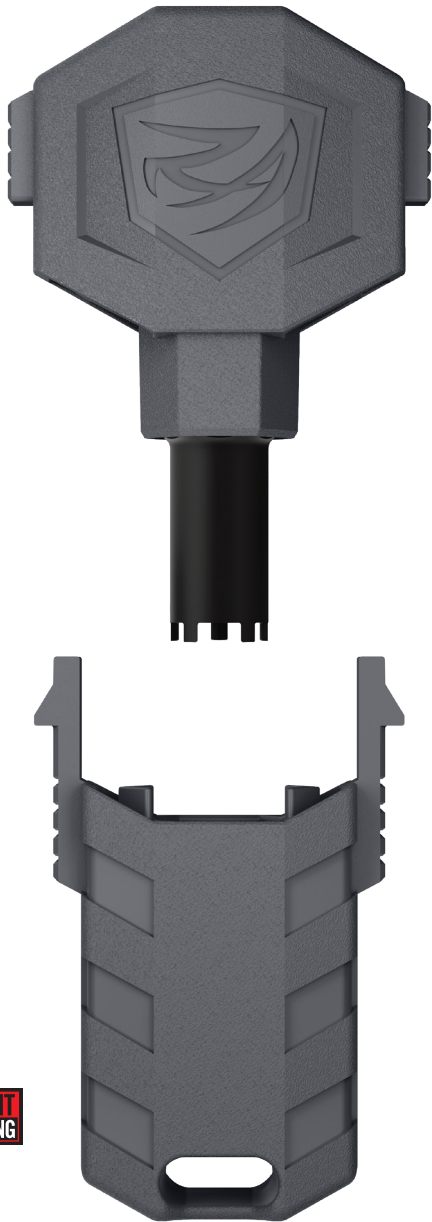


# FRONT SIGHT ADJUSTER™ PRO

## 2-IN-1 TOOL FITS BOTH A1 AND A2 FRONT SIGHTS.

This smartly-designed tool makes front sight adjustments quick, easy and painless. The new longer and stronger Front Sight Adjuster Pro is paired with an ingenious T-Handle to create the perfect combo when working with both A1 & A2 front sights. The compact carry case makes storing and protecting your tool easier, whether in your range bag or hanging from a lanyard.

### MAKE QUICK SIGHT ADJUSTMENTS ON BOTH 5-PIN AND 4-PIN FRONT SIGHTS.

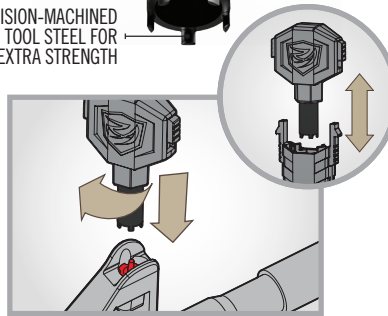


NON-MARRING NYLON

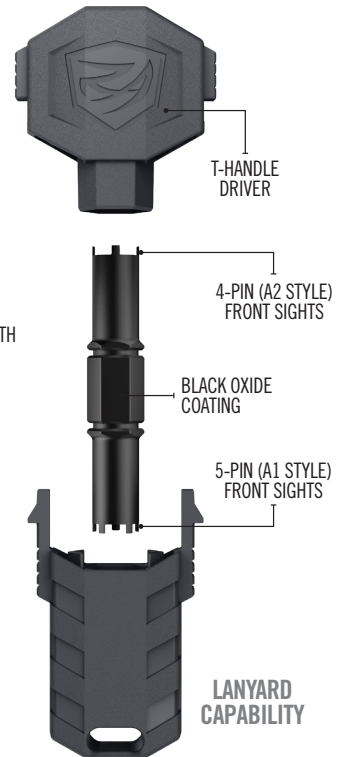


PRECISION-MACHINED TOOL STEEL FOR EXTRA STRENGTH

EXTENDED LENGTH FOR BETTER FIT



Compatible with all AR15 sights, including H&K, Troy & Magpul® sights



T-HANDLE DRIVER

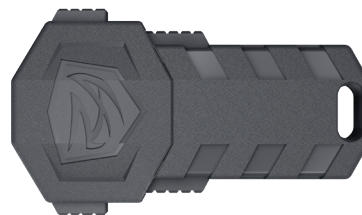
4-PIN (A2 STYLE) FRONT SIGHTS

BLACK OXIDE COATING

5-PIN (A1 STYLE) FRONT SIGHTS

LANYARD CAPABILITY

PATENT PENDING



COMPACT DESIGN

**WARNING:** This product can expose you to chemicals including Nickel (Metallic), which is known to the State of California to cause cancer. For more information, go to [www.P65Warnings.ca.gov](http://www.P65Warnings.ca.gov).



5480 NATHAN LANE NORTH, SUITE 120  
MINNEAPOLIS, MN 55442 800.286.0567  
info@realavid.com | RealAvid.com  
© 2023 NEW REVO BRAND GROUP, LLC.

