

Mini Series
Multifunction Thermal Imager
User Manual

InfiRay Technologies Co., Ltd.

CONTENTS

1. Overview	3
2. Features	4
3. System Functions	5
4. Product Components	6
5. Operation Functions	6
5.1 Switching on/off	7
5.2 Electronic Magnification	7
5.3 Context Menu	8
5.4 Advanced Menu	9
6. Preventative Maintenance	14
6.1 Battery Replacement	14
6.2 Product Cleaning and Maintenance	15
7. General Trouble Shooting	15
8. Safety Regulation	16

1.Overview

The Mini series is a multifunction thermal imager with built-in VOx uncooled infrared focal plane array detector. Mini series has small size, light weight, high performance, various purpose and many other strengths. Moreover, a variety of sensors are equipped and it not only can be used as Monocular hand-held thermal imager or portable infrared thermal image sight but also can be used as wearable device when installed on the helmet. Mini series can be widely used in investigation, security, search and rescue, outdoor sports and other application fields.



Figure 1-1. Mini series multifunction thermal image

2.Features

Table 1. The features of the Mini series multifunction thermal imager

Model	ML19	MH25
Detector Parameter		
Resolution	384×288	640×512
Pixel Size	17μm	12μm
Response Spectra	8~14μm	8~14μm
NETD	≤40mK@25°C, f#1.0	≤40mK@25°C, f#1.2
MRTD	≤500mK@25°C, f#1.0	≤600mK@25°C, f#1.2
Frame Rate	50Hz	50Hz
Optical Parameter		
Objective Lens	19mm	25mm
Focus Mode	Manual	Manual
Field of View	19°×15°	17.5°×14°
Digital Zoom	1.0~4.0×	1.0~8.0×
Eye Relief	20mm	20mm
Exit Pupil	5mm	5mm
Diopter Adjustment	-4D~+3D	-4D~+3D
Display		
Type	LCOS	LCOS
Resolution	1280×960	1280×960
Function		
Digital Compass	√	√
Motion Sensor	√	√
Laser Pointer (650nm)	√	√
Rangefinder	√	√
PIP	√	√
Palette	Black hot/White hot/Red	Black hot/White hot/Red

	hot/Pseudo Color	hot/Pseudo Color
Remote Control	Bluetooth	Bluetooth
Physical Parameter		
Battery	CR123/16340 (Recommend) /16650	CR123/16340 (Recommend) /16650
Max. Battery Life	CR123——2.5 hours 16340——up to 4 hours 16650——up to 6 hours	CR123——2 hours 16340——up to 3 hours 16650——up to 4.5 hours
Operating Temperature	-10°C~+50°C	-10°C~+50°C
Power Consumption	<1250mW	<1700mW
IP Rating	IP67	IP67
Weight (without battery)	<225g	<245g
Dimension	121mm×70mm×45mm	128mm×70mm×45mm
External Mount	2*M3 threaded holes (two sides)	2*M3 threaded holes (two sides)

3.System Functions

- Image calibration: Background calibration/Shutter calibration;
- Image mode: Black hot/White hot/Red hot/Pseudo Color;
- Image electronic magnification: ×1.0 ~ ×4.0;
- Image brightness/sharpness/contrast adjustment;
- Motion sensor adjusts the forward image;
- Electronic compass;
- Dip measurement;
- Laser designation;
- Probability rangefinder;
- Picture in picture;
- Bluetooth remote controller;
- Four presets for different guns;

- Automatic standby;
- Supply power and transmitting data through Type-C interface;
- Output analog video in PAL format;
- The installation interface can be expanded(Picatinny rail, helmet).

4.Product Components

The main components of the Mini series are shown in figure 4-1.

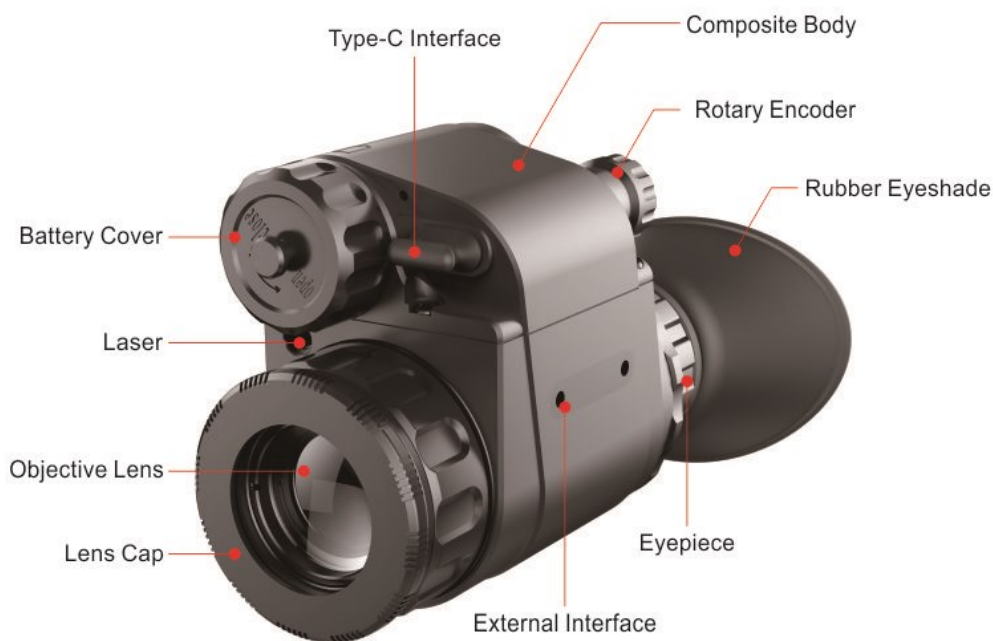


Figure 4-1. The main components of Mini series

5.Operation Functions

The related function such as switch, peripheral, menu and other functions can be implemented through operating the rotary encoder. And all the operations can exit through pressing the encoder for 3 seconds.

5.1 Switching on/off

- ▶ The product will be switched on and display start up logo after pressing encoder for 3 seconds.

The status indicator icon is displayed in the upper left corner of the image and the battery power icon is displayed in the upper right corner. As shown in figure 5-1 of normal display.

- ▶ Switching off the encoder by putting the lens straight down and pressing the encoder for 3 seconds.

5.2 Electronic Magnification

▶ When there is no menu, rotating the encoder can zoom image. The image will be zoomed in with clockwise rotation and zoomed out with anticlockwise rotation between 1.0 and 4.0;

▶ Slowly rotating the encoder, the magnification is adjusted with a step of 0.1 and rapid rotation is amplified by x1.0, x2.0, x3.0 and x4.0;

▶ The current magnification is displayed on the upper left icon;

▶ The center of image is enlarged when there is no reticle and the center image of reticle is enlarged when the reticle is displayed.

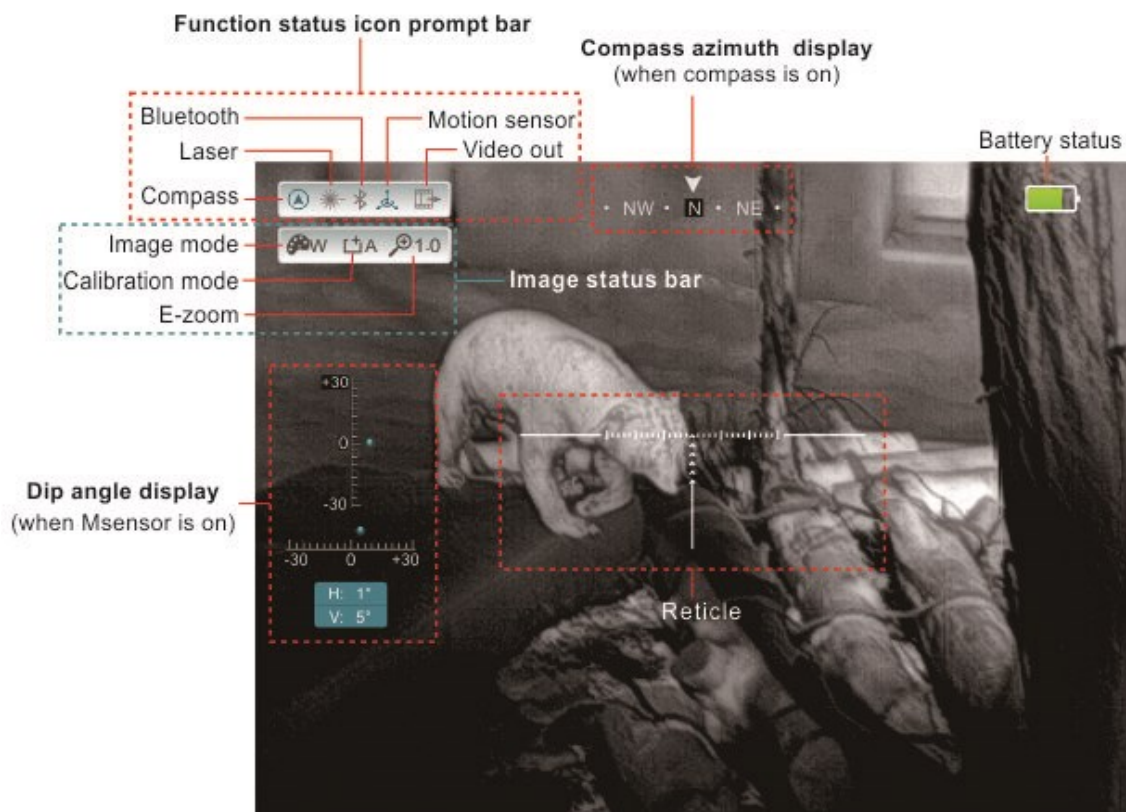


Figure 5-1. Normal display interface

5.3 Context Menu

When there is no menu, short press the encoder to call up the context menu, as shown in figure 5-2. The four functions clockwise are image correction, image mode, brightness and laser. Rotating encoder can achieve switch function and short press encode can start up the executive function. If there is no operation within 5 seconds, it will exit the context menu automatically. Or it will exit after pressing the encoder for 3 seconds.

- ◆ Image correction: Short press the encoder to perform the background correction while the lens is facing down and other orientations to perform shutter correction.
- ◆ Image mode: W(white hot)、B(black hot)、R(red hot)、C(pseudo color).
- ◆ Brightness: Screen brightness adjustment. There are 1~5 levels can be adjusted.
- ◆ Laser: Turn on/off the laser designation.

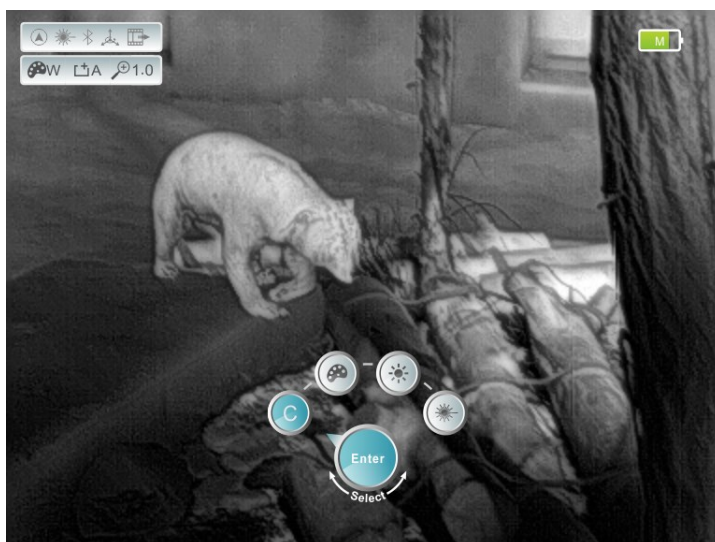


Figure 5-2. Context menu

5.4 Advanced Menu

When there is no menu, long press the rotary encoder for 3 seconds to call up the advanced menu (when long press the encoder, don't let lens vertically down, otherwise the Mini series will be shutdown). The advanced menu includes five functions which are Device, Function, Reticle, Calibration and Setting. Each function contains several options and corresponding options item pop out when select a certain function, as shown in figure 5-3.



Figure 5-3. Advanced menu

Operation:

- ▶ After entering the advanced menu, short press the rotary encoder to switch among functions.
- ▶ After a certain function item is selected, rotating the encoder to switch among the option items and a short press locks the certain option or adjusts the parameters.
- ▶ After locking an option item, rotating the encoder to adjust the parameters and short press performs the option and unlocks the option item.
- ▶ If there is no operation within 15 seconds, the advanced menu will exit automatically. Or long press rotary encoder for 3 seconds can also exit the advanced menu. The functional details of the advanced menu are shown in table 5-1 and the relevant operation status is shown in figure 5-4, 5-5, 5-6 and 5-7.

Table 5-1. Details of Mini series advanced menu

Function items	Option items	Function	Operation	Status
Device	Bluetooth	ON/OFF	Support bluetooth remote control.	The upper left icon turns blue.
	Compass	ON/OFF	The field of view is automatically updated according to the geomagnetic	The upper left icon turns blue, and the azimuth

			direction.	bar appears above.
	Msensor	ON/OFF	Measuring the pitch angle and horizon angle of the product relative to the ground.	The upper left icon turns blue, and the dip angle scale appears at the left.
Function	Helmet Mode	ON/OFF	——	——
	Video Out	ON/OFF	Video outputs through the attached type-c data cable.	The upper left icon turns blue.
	Rangefinder	ON/OFF	Align the ranging line to the top (or bottom) of the target and press to record position 1. Then align the ranging line to the bottom (or top) of the target and press to record position 2.	The special Rangefinder interface is shown in figure 5-4.
	PIP	ON/OFF	When the reticle is turned off, capturing the center of image and magnify to twice. When the reticle is turned on, capturing the center image of reticle and magnify to twice.	Display in the upper of image in pixel size of 192*144.
Reticle	Type	Four optional calibration gun types	After the cursor selects a certain option item, pressing the encoder to lock the item and rotating the encoder to adjust the parameters. Then pressing the encoder to unlock the item after parameters	Real-time display
	Color	Three optional reticle colors : W(white)、B(black)、C(colors)		Real-time display
	Pattern	Four optional reticle styles.		Real-time display

		“OFF” —Turning off the reticle.	adjustment is finished.	
Calibration	Laser	Laser calibration	After entering the calibration interface, short pressing encoder to switch X/Y	Laser calibration interface is shown in figure 5-5.
	Reticle	Reticle center calibration	orientation. Rotating the encoder to move calibration reticle and then long pressing the encoder to exits the calibration interface.	Reticle center calibration interface is shown in figure 5-6.
	Compass	Compass calibration	After entering the compass calibration interface, wave the Mini series to make the "infinity" turn according to the icon, to the prompt icon automatically disappear and complete the calibration.	Compass calibration interface is shown in figure 5-7.
Setting	Factory Reset	Restore factory settings	After the cursor selects this option, short pressing the encoder and the inquiry dialog box is popped up. Selecting "Yes" to execute, and selecting "No" to cancel.	Dialog prompts
	Sleep Mode	Turn on/off the sleep mode. The standby time can be 5min, 15min or 30min.	When the cursor selects a certain option, short pressing the encoder to lock the option and rotating the encoder to adjust the parameters. Then	——
	Sharpness	Image sharpness	pressing the encoder to unlock.	Real-time display

		adjustment between 1 and 9 level.		
	Contrast	Image contrast adjustment between 1 and 9 level.		Real-time display
	Brightness	Image brightness adjustment between 1 and 5 level.		Real-time display
	NUC Mode	Automatic correction (A) and manual correction (M)	When the cursor selects this option, short pressing the encoder to switch between A and M.	Displaying in the upper left corner.



Figure 5-4. Rangefinder interface



Figure 5-5. Laser calibration interface



Figure 5-6. Reticle calibration interface



Figure 5-7. Compass calibration interface

5.5 Remote Control

The Mini series is built-in bluetooth module. Through bluetooth, the Mini series can be connected with the special bluetooth remote controller or smartphone APP. The bluetooth connection method is as follows:

- Turn on the bluetooth function on the Mini series, and the bluetooth icon will be flashing;
- Then turn on the bluetooth of the remote controller (or smartphone) within 1 minute, to complete the automatic connection between remote controller (or APP) and Mini series. The bluetooth icon on Mini series interface will stay on after successful connection. The Mini series will automatically turn off bluetooth if there is no remote equipment is connected within 1 minute, and the bluetooth icon will turn grey.
- When the remote controller (or APP) is powered off, or out of the prescribed connection distance, Mini series will automatically turn off the bluetooth within 30 seconds.

6.Preventative Maintenance

6.1 Battery Replacement

- ▶ It is necessary to power off before replacing the batteries;
- ▶ The battery power icon is displayed on the upper right side of the interface and there are four levels of power.
- ▶ When the battery icon turns to red, it means that the power is less than 25% and please replace the battery or connect to external power.;
- ▶ Rotating the battery cap anticlockwise and replacing battery. Please pay attention to the positive and negative terminal of battery and install the battery correctly.

6.2 Product Cleaning and Maintenance

- ▶ It is prohibited to clean the product body with the cleaning product which is corroded or scratched to optical glass.

▶ The product body can be scrubbed with soft cloth dipping certain amount of alcohol.

▶ Optical glass devices such as eyepiece lens and objective lens, dust should be blown first, and then use charcoal pen or fat-free cotton dipping non-methylated alcohol to wipe slightly.

7.General Trouble Shooting

Please contact with our company or sellers as soon as possible if there are some abnormalities that cannot be ruled out. Private demolition is strictly prohibited.

Table 2. Mini series general trouble shooting

Trouble description	Probable reason	Trouble shooting
Image blurring	The focal length of objective lens does not match.	Adjusting the focal length of objective lens until the image becomes clear.
	Long time no image correction.	Performing image correction.
Blurred vision	Eye relief does not match	Adjusting the Eye relief until the image becomes clear.
No analog video output	Analog video is not open	Open analog video output.
	The data cable does not match.	Replace data cable.
Fail to start up	Wrong battery installation or low power.	Check the battery installation and battery power.
	Insufficient external supply voltage.	Check the voltage of external power supply.
Fail to shutdown	The lens is not facing down.	Long pressing shutdown when the lens faces down.

8.Safety Regulation

▶ Please use batteries regularly. Do not throw the batteries away or put them into fire after use;

▶ Please use standard charger to prevent the product from damages;

- ▶ No short circuit;
- ▶ It is prohibited to expose the product in the high temperature environment more than 60°C;
- ▶ It is prohibited to put the product into fire.