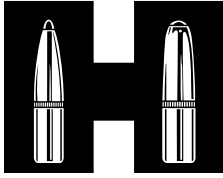
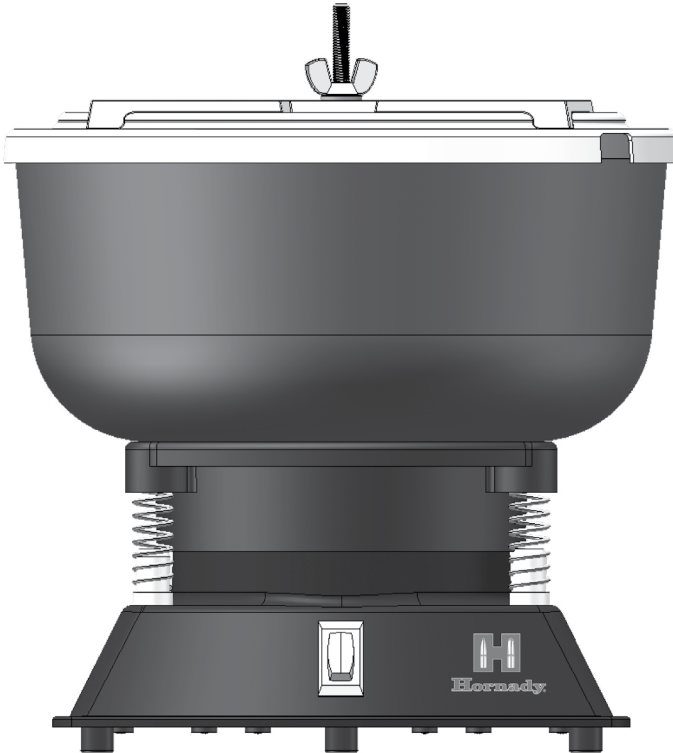


INSTRUCTIONS



Hornady[®]
Accurate. Deadly. Dependable.

M-1 CASE TUMBLER



Item No. 050202 - 110V
Item No. 050204 - 220V

Instructional videos for Hornady[®] reloading products are available at hornady.com.

IMPORTANT SAFETY INSTRUCTIONS

Read All Instructions

Reloading is an enjoyable and rewarding experience. This case tumbler will add to the quality of your reloaded ammunition. It has been designed from the beginning with the user's safety in mind.

As with any mechanical device, safety rules must be followed. By observing these rules, the chance of a hazardous occurrence becomes extremely remote.

GENERAL

- Use the equipment as the manufacturer recommends.
- Study the instructions carefully and become thoroughly familiar with the operation of the machine. Don't take short cuts.
- Observe "good housekeeping" in the reloading area.
- Keep tools and components neat, clean and orderly.
- Wear adequate eye protection.
- This appliance is not intended for use by persons (including children) with reduced physical, sensory or mental capabilities, or lack of experience and knowledge, unless they have been given supervision or instruction concerning use of the appliance by a person responsible for their safety.
- Children should be supervised to ensure that they do not play with the appliance.
- As with any phase of reloading, exposure to lead is a possibility. Do not eat, drink or use tobacco while using this product. Wash hands thoroughly after use.

WARNINGS

- Read this instruction manual thoroughly before attempting to operate this product.
- Do not use any chemicals other than those specifically recommended by the manufacturer for cartridge case cleaning.
- Do not attempt to salvage badly corroded cases which might be structurally weak.
- Do not attempt to clean loaded ammunition under any circumstances.

ELECTRICAL

- The 110VAC unit is equipped with a two prong cord. The 220VAC unit is equipped with a European two prong round cord. Plug only into a proper outlet.
- Do not work on wet floors.
- Keep all electric cords away from moisture, rain and moving parts.
- Periodically check all cords for worn/frayed spots and replace or repair to code if needed.
- If the supply cord is damaged, it must be replaced by the manufacturer, its service agent or similarly qualified persons in order to avoid a hazard.

OPERATOR

- Wear clothing that is not loose. Loose clothing can be drawn into machinery.
- Keep your hands and fingers away from “danger” spots where they might be injured.
- Keep children and visitors away from machinery.
- Take off loose jewelry before using machines. Be sure that all moving parts are shielded and all guards are in place before operating any equipment.

RECORD KEEPING

Keep complete records of reloads. Apply a descriptive label to each box showing the date produced and the primer, powder and bullet used. Labels for this purpose are packaged with Hornady bullets.

Since Hornady has no control over the choice of components, the manner in which they are assembled, the use of the product, or the firearms in which the resulting ammunition may be used, no responsibility, either expressed or implied is assumed for the use of ammunition reloaded with this product.

INTRODUCTION

The Hornady Case Tumbler has been designed specifically for cleaning and polishing a large quantity of cartridge cases quickly and efficiently. Features of the case tumbler include a full 3-1/2 quart working capacity, thick bowl, wide, stable base and a quiet fan-cooled, sealed ball-bearing motor. This case tumbler is easy to use and by following these instructions, should provide safe, maintenance-free operation.

UNPACKING

Unpack the case tumbler and take a few minutes to review these instructions and familiarize yourself with the various parts of the tumbler.

INCLUDED ITEMS

- a. Base
- b. Bowl
- c. Lid
- d. Sifter
- e. ¼-20 retaining rod
- f. ¼-20 Hex Nut
- g. 7/16 Wrench
- h. ¼-20 Wing Nut (2)
- i. Flat Washer (3)
- j. Instruction Manual (*not shown*)

EXPLODED VIEW



ASSEMBLING THE CASE TUMBLER

1. Remove components from packaging.
2. Assemble the Retaining Rod into the base by screwing the $\frac{1}{4}$ " Hex Nut onto the end of the Retaining Rod with the shorter threads. It should screw on about $\frac{3}{8}$ ".
3. Place a washer onto the Retaining Rod before screwing into the Base.

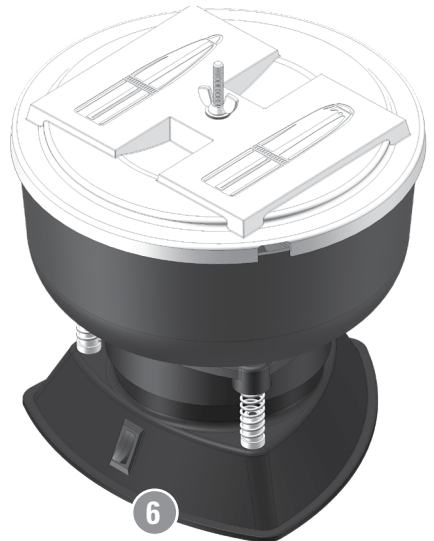
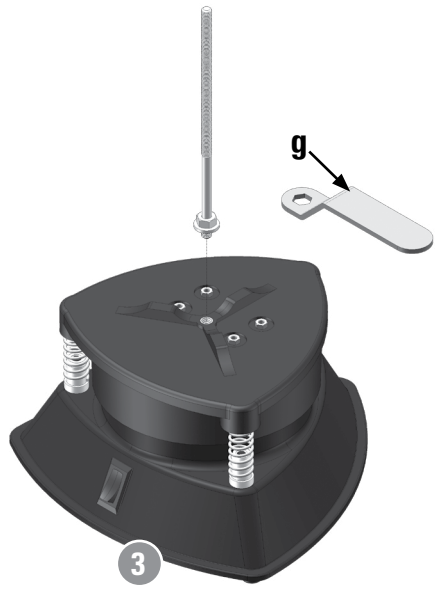
Note: If while screwing the Retaining Rod into the Base you feel resistance before the washer and nut are tight, back the Retaining Rod off by 1 turn.

4. Tighten the Hex Nut with the included Wrench, careful not to overtighten.
5. The Bowl can now be placed over the Retaining Bolt and is held onto the base with the Washer and Wing Nut.
6. The Lid is held in place with the second Washer and Wing Nut.

To operate the tumbler, place brass cases and approximately 1 quart of tumbling media into the bowl.

Note: While the maximum total fill weight is 5 pounds, the unit works best with 2 to 4 pounds of cases and media.

Use the switch on the front of the unit to turn the unit on and off.



OPERATING INSTRUCTIONS

After unpacking the case tumbler, set the unit on a solid, level surface to operate. The cleaning bowl is engineered to create a fast internal cyclonic action. For best results, the bowl should be at least half full with dry media. Then, load with cases. The unit will hold approximately 400 .38 Special cases, 180 .30-06 cases or the equivalent amount of other sized cases. The best ratio of cases and media will be determined by you as you use the unit. Replace the lid and tighten the nut in the center of the lid. Plug the power cord into the electrical outlet, turn the on/off switch to the "on" position and the unit will start the vibrating action. Running time will be determined by the condition of the cases and the degree of cleanliness desired.

To empty the bowl, first turn the unit off and unplug the power cord. Then remove the lid by unscrewing the nut in the center of the lid. Next, simply turn the entire unit upside down to pour the contents into a container. Again, be sure to unplug the unit from the electrical outlet. Separating the media from the cases can be made easier with the use of the included Media Sifter.

Do not attempt to make any adjustments or repairs to the electrical system of the Case Tumbler. Contact the Customer Service Department at Hornady for this service.

EMPTYING THE CASE TUMBLER

The included media sifter can be placed into a large bucket or box. The handles are designed to set onto the rim of a standard 3 or 5 gallon bucket (not included). The sifter can then be gently shaken side to side to continue separating the tumbling media from the cases.



WARRANTY

All Hornady® reloading tools and accessories are warranted against material defects and workmanship.

Hornady® electronic components are covered by a one-year warranty from the date of purchase.

This warranty is void if the product (1) has been damaged by accident or unreasonable use, neglect, improper service or other causes not arising out of defects in material or workmanship; or (2) has been altered or repairs have been made or attempted by other than authorized factory personnel; (3) is used commercially; or (4) has been altered or defaced in any way.

This warranty supersedes all other warranties for Hornady® products either written or oral. No other warranty is expressed or implied.

PRODUCT REGISTRATION AND SERVICE

You must register your product to obtain Warranty Service. Complete the registration form at hornady.com/warranties.

TO RECEIVE WARRANTY SERVICE

To report a warranty claim, call Hornady® at 800-338-3220 to request a return authorization number. Returns will not be accepted without prior return authorization by Hornady®.

POST-WARRANTY SERVICE INFORMATION

For issues concerning service after the Limited Warranty expires, contact Hornady® at 800-338-3220.

PRODUCT SERIAL NUMBER AND REFERENCE INFORMATION

You must register your product in order to obtain warranty service. In the event you should need service for your product, please note the following information:

Serial Number _____

Date Purchased _____

Retailer _____



Hornady Manufacturing Co.
P.O. Box 1848, Grand Island, NE 68802-1848
hornady.com/contact